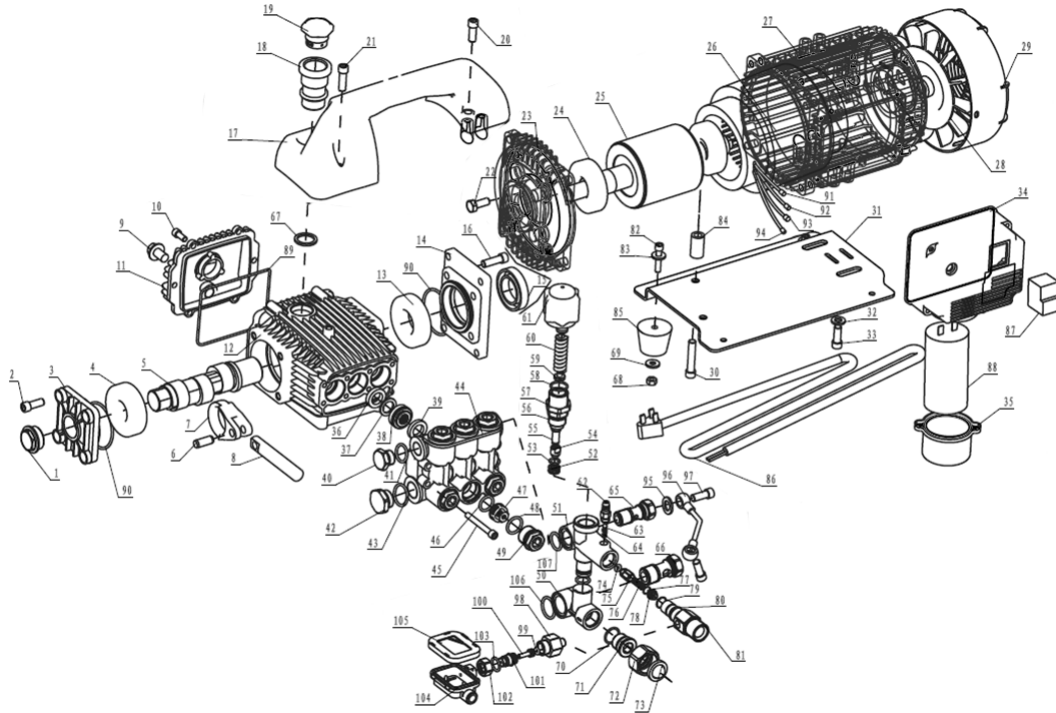




PRESSURE WASHER BREAKDOWN

B1515EN



REF #	DESCRIPTION	BE PART #	REF #	DESCRIPTION	BE PART #
1	OIL LEVEL INDICATOR	85.165.014 PUMP KIT	22	HEX SREW M8×20	
2	SCREW M8×16	85.165.014 PUMP KIT	23	MOTOR FLANGE	
3	CRANKSHAFT COVER	85.165.014 PUMP KIT	24	BALL BEARING 6205RZ	
4	BALL BEARING	85.165.014 PUMP KIT	25	ROTOR	
5	CRANKSHAFT	85.165.014 PUMP KIT	26	STATOR	
6	PLUNGER PIN	85.165.014 PUMP KIT	27	MOTOR HOUSING	
7	CONNECTING ROD	85.165.014 PUMP KIT	28	MOTOR FAN	
8	CERAMIC COATING PLUNGER	85.165.014 PUMP KIT	29	FAN COVER	
9	OIL DRAIN PLUG M10×30	85.165.014 PUMP KIT	30	SCREW M8×40	
10	SCREW M6×14	85.165.014 PUMP KIT	31	BASEPLATE	
11	CRANKCASE COVER	85.165.014 PUMP KIT	32	WASHER	
12	CRANKCASE	85.165.014 PUMP KIT	33	SCREW M8×25	
13	BALL BEARING	85.165.014 PUMP KIT	34	ELECTRICAL BOX	
14	CRANKCASE COVER	85.165.014 PUMP KIT	35	CAPACITOR COVER	
15	OIL SEAL 30-50-10	85.165.014 PUMP KIT	36	OIL SEAL 15-24-55	85.165.014 PUMP KIT
16	SCREW M8×25	85.165.014 PUMP KIT	37	O-RING	85.165.014 PUMP KIT
17	HANDLE		38	PACKING RETAINER	85.165.014 PUMP KIT
18	OIL PLUG	85.165.014 PUMP KIT	39	OIL SEAL 15-22-50	85.165.014 PUMP KIT
19	OIL PLUG CAP	85.165.014 PUMP KIT	40	OUTLET PLUG	85.165.014 PUMP KIT
20	SCREW M8×25		41	WASHER	85.165.014 PUMP KIT
21	SCREW M8×20		42	INLET PLUG	85.165.014 PUMP KIT



PRESSURE WASHER BREAKDOWN

B1515EN

REF #	DESCRIPTION	BE PART #	REF #	DESCRIPTION	BE PART #
43	WASHER	85.165.014 PUMP KIT	76	OUTLET SPRING	85.165.010 UNLOADER KIT
44	MANIFOLD	85.165.014 PUMP KIT	77	O-RING Ø9×1.0	85.165.010 UNLOADER KIT
45	SCREW M6×50	85.165.014 PUMP KIT	78	OUTLET VAVLE	85.165.010 UNLOADER KIT
46	O-RING Ø18×2.5	85.165.014 PUMP KIT	79	O-RING Ø13×1.0	85.165.010 UNLOADER KIT
47	ONE WAY VALVE	85.165.014 PUMP KIT	80	O-RING Ø15×1.8	85.165.010 UNLOADER KIT
48	O-RING Ø18×2.5	85.165.014 PUMP KIT	81	OUTLET CONNECTOR	85.165.010 UNLOADER KIT
49	ONE WAY VALVE NUT	85.165.014 PUMP KIT	82	SCREW	
50	OUTLET T CONNECTOR	85.165.010 UNLOADER KIT	83	WASHER	
51	INLET T CONNECTOR	85.165.010 UNLOADER KIT	84	BUSHING	
52	SEAT	85.165.010 UNLOADER KIT	85	RUBBER ISOLATOR FOOT	
53	O-RING Ø10×1.5	85.165.010 UNLOADER KIT	86	CABLE	
54	NUT	85.165.010 UNLOADER KIT	87	SWITCH	
55	UNLOADER PISTON	85.165.010 UNLOADER KIT	88	CAPACITOR	
56	UNLOADER PISTON SEAT	85.165.010 UNLOADER KIT	89	SEAL Ø100×2.5	85.165.014 PUMP KIT
57	NUT	85.165.010 UNLOADER KIT	90	SEAL Ø56×2.5	85.165.014 PUMP KIT
58	O-RING Ø9.5×1.8	85.165.010 UNLOADER KIT	91	WHITE WIRE	
59	SPRING SEAT	85.165.010 UNLOADER KIT	92	BLUE WIRE	
60	SPRING	85.165.010 UNLOADER KIT	93	RED WIRE	
61	INSERT FOR HANDLE	85.165.010 UNLOADER KIT	94	BLACK WIRE	
62	BLOT	85.165.010 UNLOADER KIT	95	WASHER	85.165.011 MICROSWITCH
63	STEEL BALL	85.165.010 UNLOADER KIT	96	RELIDF VALVE	85.165.011 MICROSWITCH
64	SPRING	85.165.010 UNLOADER KIT	97	SCREW	85.165.011 MICROSWITCH
65	OUTLET NIPPLE	85.165.010 UNLOADER KIT	98	MICRO-SWITCH SEAT	85.165.011 MICROSWITCH
66	INLET NIPPLE	85.165.010 UNLOADER KIT	99	R-RING Ø5.6×1.8	85.165.011 MICROSWITCH
67	WASHER	85.165.014 PUMP KIT	100	MICRO-SWITCH PISTON	85.165.011 MICROSWITCH
68	SCREW		101	MICRO-SWITCH VAVLE	85.165.011 MICROSWITCH
69	FLAT WASHER		102	MICRO-SWITCH VAVLE SEAT	85.165.011 MICROSWITCH
70	O-RING Ø18×1.8	85.165.010 UNLOADER KIT	103	O-RING Ø8×2	85.165.011 MICROSWITCH
71	SCREW	85.165.010 UNLOADER KIT	104	MICRO-SWITCH BOX	85.165.011 MICROSWITCH
72	NUT	85.165.010 UNLOADER KIT	105	MICRO-SWITCH BOX CAP	85.165.011 MICROSWITCH
73	FLITER	85.165.010 UNLOADER KIT	106	O-RING Ø22×2.5	85.165.010 UNLOADER KIT
74	O-RING Ø4×2.5	85.165.010 UNLOADER KIT	107	O-RING Ø18×2.5	85.165.010 UNLOADER KIT
75	OUTLET PISTON	85.165.010 UNLOADER KIT			



PRESSURE WASHER BREAKDOWN

B1515EN

PUMP REBUILD KIT 85.165.015

REF #	DESCRIPTION
1	OIL LEVEL INDICATOR
90	SEAL $\text{\O}56 \times 2.5$
67	WASHER
36	OIL SEAL 15-24-55
37	O-RING
39	OIL SEAL 15-22-50
46	O-RING $\text{\O}18 \times 2.5$
47	ONE WAY VALVE
48	O-RING $\text{\O}18 \times 2.5$
15	OIL SEAL 30-50-10
89	SEAL $\text{\O}100 \times 2.5$